

# TQJ-2400AT10

## 2.4GHz Fiberglass Omni Antenna

### Technical Sheet



#### Applications

- 2.4GHz ISM Band
- 2.4GHz Wireless LAN Systems
- Multipoint Applications

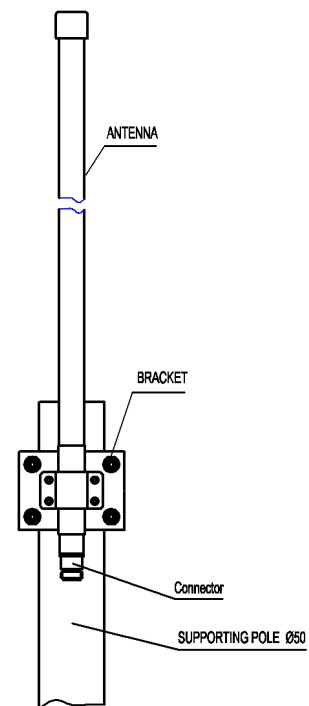
#### Features

- Low VSWR
- Lightweight Fiberglass Radome
- Supplied with Mast Mounting Kit

#### Specifications

Model	TQJ-2400AT10
Freq. Range-MHz	2400~2483
Bandwidth-MHz	83
Gain-dBi	10
Beamwidth-°	E:10.5
VSWR	≤1.5
Impedance-Ω	50
Polarization	Vertical
Max. Power-W	100
Connector Type	N-Female or Customization
Dimension-m	1.0
Weight-Kg	1.1
Pole Diameter-mm	Φ40~50

#### Install Sketch



Kenbotong Communication LTD.

Addr: Kenbotong Building, Changrong rd. Foshan, Guangdong, China. 528000

Tel: +86-757-82219788, 82126632 Fax: +86-757-82212072  
Email: kbt@kenbotong.com web: <http://www.kenbotong.com>