

TQJ-2400AT8

2.4GHz Fiberglass Omni Antenna

Technical Sheet



Application

- 2.4GHz ISM Band
- 2.4GHz Wireless LAN
- Wireless image transmission

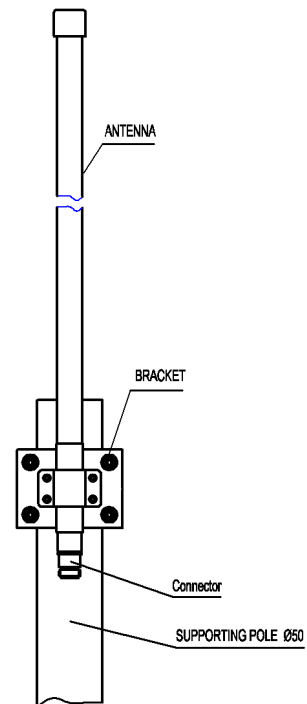
Feature

- High Gain
- Fiberglass Radome, Strong corrosion resistance
- Steel Bracket

Specification

Model	TQJ-2400AT8
Freq.Range-MHz	2400~2483
Bandwidth-MHz	83
Gain-dBi	8
Ver.Beamwidth-°	16
VSWR	≤1.5
Impedance-Ω	50
Polarization	Vertical
Max.Power-W	100
Connector	N Female or N Male
Length-cm	58
Weight-Kg	0.48
Mast Diameter-mm	φ 40~50

Installation Sketch



Kenbotong Communication LTD.

Addr: Kenbotong Building, Changrong rd. Foshan, Guangdong, China. 528000

Tel: +86-757-82219788, 82126632 Fax: +86-757-82212072

Email: kbt@kenbotong.com web: <http://www.kenbotong.com>