

# TQJ-2400ATC15

## 2.4GHz Fiberglass Omni Antenna

### Technical Sheet



#### Applications

- 2.4 GHz WLAN System
- 2.4 GHz ISM Band
- IEEE 802.11b&802.11g
- Public Wireless hotspot
- WiFi System
- Point to multipoint

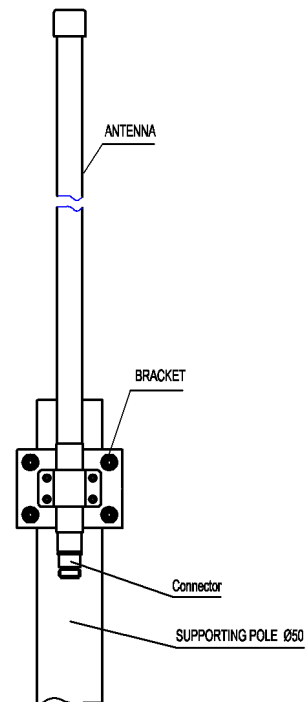
#### Feature

- High Gain,Broadband
- Superior Fiberglass Radome
- All weather operation
- Supplied with Mast Mounting Kit

#### Specification

Model	TQJ-2400ATC15
Freq.Range-MHz	2400 to 2500
Bandwidth-MHz	100
Gain-dBi	15
Vertical Beamwidth-°	5
VSWR	≤1.50
Impedance-Ω	50
Polarization	Vertical
Max.Power-W	50
Rated Wind Velocity-m/s	60
Connector	N Female
Dimension-m	1.57
Weight-Kg	0.75(with bracket)

#### Installation Sketch



Kenbotong Communication LTD.

Addr: Kenbotong Building, Changrong rd. Foshan, Guangdong, China. 528000

Tel: +86-757-82219788, 82126632 Fax: +86-757-82212072

Email: kbt@kenbotong.com web: <http://www.kenbotong.com>